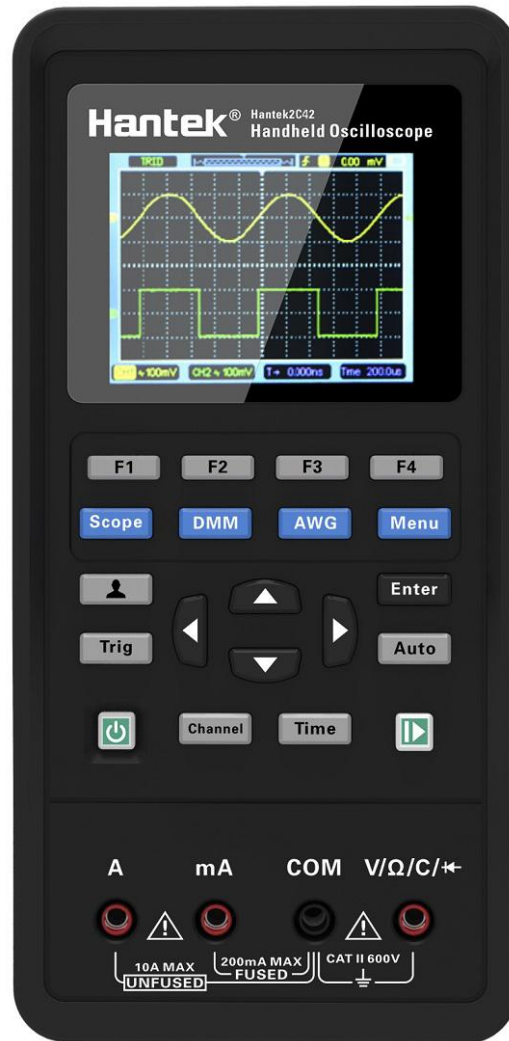


Mini Handheld Oscilloscope

2 Channel, 40MHz Bandwidth, 250MSa/s Sample Rate + DMM

Hantek2C42

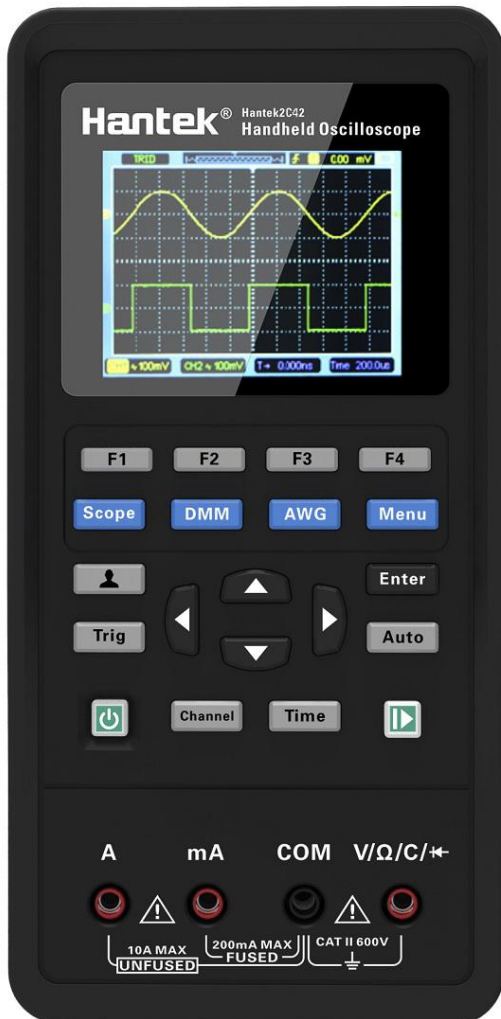


Accessory



Features



Oscilloscope Function



- 2 channels oscilloscope, 40MHz bandwidth, 250M sampling rate.
- 10mV-10V/DIV high input sensitivity and large input range.
- Auto automatic measuring function.
- Adjustable backlight brightness, backlight duration, and auto power off time.
- Cursor measurement, reference waveform, waveform storage function.
- Color highlight LCD screen, legible even in bright sunlight.
- Powered by two universal ICR18650 lithium battery only, be able to work continuously for a full day and standby over 8 weeks.
- Digital voltmeter function.
- Key tone settings.
- Full function PC software.

Multimeter Function

With standard multi-functional digital multimeter which can be used to measure AC/DC voltage, current, resistance, diode, capacitance, continuity test.

- **V~** AC Voltage
- **V-** DC Voltage
- **A~** AC Current
- **A-** DC Current
-  Diode Test
-  On-off Buzzer
- Ω Resistance Test
- **C** Capacitance Test



Specification	
Model	Hantek2C42
OSCILLOSCOPE	
Bandwidth	40MHz
Channel	2 CH
Horizontal	
Real-time Sampling Rate	250MSa/s dual channels, 125MSa/s single channel
Waveform Interpolation	(sin x)/x
Memory Depth	Max. 6K for single-channel; 3K samples per dual-channel
Time Base Range	5ns/div-500s/div (1-2-5 sequences)
Vertical	
Vertical Resolution	8Bit, all channel sampled simultaneously
Input Sensitivity	10mV/div~10V/div at BNC inupt
Bandwidth Limit (Typical)	20MHz
Low Frequency Response (-3db)	≤10Hz at BNC
Rise Time at BNC (Typical)	≤9 ns
DC Gain Accuracy	±3% for Normal or Average acquisition mode
Note: Bandwidth down to 6MHz when probe at X1	
Acquisition	
Acquisition Mode	Normal
Trigger	
Trigger Type	Edge

Trigger Mode	Auto, Normal, Single		
Trigger Level Range	±4 divisions from center of screen		
Trigger Level Accuracy	0.2div × volts/div within ±4 divisions from center of screen		
Slope	Rising edge, Falling edge, Rising or Falling edge		
Source	CH1, CH2		
Input			
Inputs Coupling	AC, DC, GND		
Input Impedance	25pF±3pF, 1MΩ±2%		
Probe Attenuation	1X, 10X		
Supported Probe Attenuation Factor	1X, 10X, 100X, 1000X		
Maximum Input Voltage	150VRMS		
Measurement			
Cursor Measurement	Voltage difference between cursors: ΔV		
	Time difference between cursors: ΔT		
Auto Measurement	Frequency, Amplitude		
MULTIMETER			
Maximum Resolution	4000 Counts		
DMM Testing Modes	Voltage, Current, Resistance, Capacitance, Diode & On-Off		
Maximum Input Voltage	AC: 600V, DC: 800V		
Maximum Input Current	AC: 10A, DC: 10A		
Input Impedance	10MΩ		
Measurement Term	Range	Accuracy	Resolution
	400.00mV	± (0.8% + 5)	100uV
4.000V	1mV		
40.00V	10mV		
400.0V	100mV		
DC Voltage	600.0V	± (1% + 2)	1V
	Overload protection: 400mV: 250V, other: 600Vrms.		
AC Voltage	4.000V	± (1.2% + 5)	1mV
	40.00V		10mV
	400.0V		100mV
	600.0V	± (1.5% + 5)	1V
Frequency: 40Hz~400Hz			
Frequency of 400V and 600V: 40Hz~100Hz			
DC Current	40.00mA	± (1.3% + 2)	10uA
	200.0mA	± (1.8% + 2)	100uA
	4.000A	± (2% + 3)	1mA
	10.00A	± (3% + 5)	10mA

	Self restoring fuse: 200mA/250V, 4A and 10A range no fuse.		
AC Current	40.00mA	$\pm (1.3\% + 2)$	10uA
	400.0mA	$\pm (1.8\% + 2)$	100uA
	4.000A	$\pm (2\% + 3)$	1mA
	10.00A	$\pm (3\% + 5)$	10mA
	Frequency: 40Hz~400Hz		
	Self restoring fuse: 200mA/250V, 4A and 10A range no fuse.		
Resistance	400.0 Ω	$\pm(1\% + 3)$	0.1 Ω
	4.000K Ω	$\pm(1.2\% + 5)$	1 Ω
	60.00K Ω		10 Ω
	400.0K Ω		100 Ω
	4.000M Ω		1K Ω
	40.00M Ω	$\pm (1.5\%\pm 3)$	10K Ω
Overload protection: 220Vrms			
Capacitance	40.00nF	$\pm(3\% + 5)$	10pF
	400.0nF		100pF
	4.000uF		1nF
	40.00uF		10nF
	100.0uF		100nF
Overload protection: 220Vrms			
Diode	0V~1.0V		
On-Off	<50 Ω		
GENERAL CHARACTERISTICS			
Display			
Display Type	2.8 inch64K color TFT		
Display Resolution	320 horizontal by 240 vertical pixels		
Power Supply			
Supply Voltage	100V-240VAC, 50Hz-60Hz; DC INPUT: 5VDC, 2A		
Power Consumption	<2.5W		
Fuse	T, 3A		
Battery	2600mA*2		
Environmental			
Operating Temperature	0~50 °C (32~122 °F)		
Storage Temperature	-40~+71 °C (-40~159.8 °F)		
Cooling Method	Convection		
Mechanical			
Dimension	199 x 98x 40mm (L x W x H)		
Weight	400g		