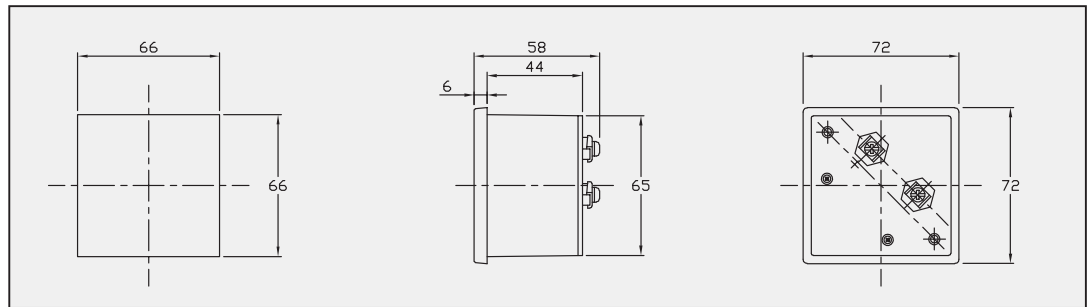


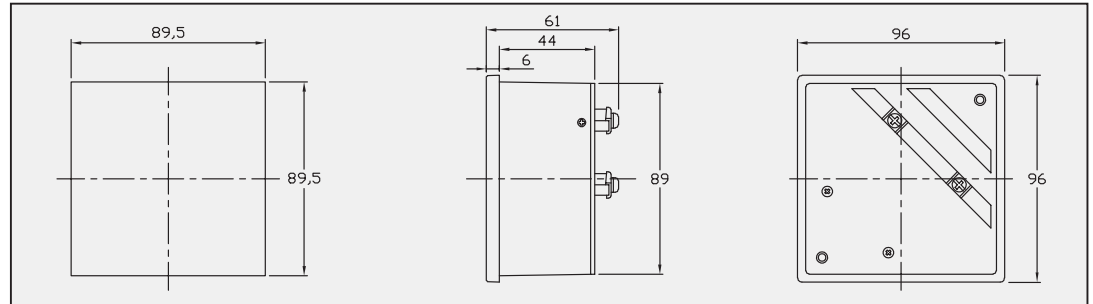
Switchboard Instrument



ST-72



ST-96



Measuring Ranges :

Moving Coil Type

| DC uA | DC mA | DC A | DC mV | DC V |
|-------|-------|------|-------|------|
| 50 | 1 | 1 | 50 | 1 |
| 100 | 1.5 | 1.5 | 60 | 1.5 |
| 150 | 2.5 | 2.5 | 100 | 2.5 |
| 200 | 3 | 3 | 500 | 3 |
| 250 | 5 | 5 | | 5 |
| 300 | 10 | 10 | | 10 |
| 400 | 50 | 15 | | 15 |
| 500 | 100 | 20 | | 20 |
| 600 | 500 | 25 | | 25 |
| 800 | 800 | 30 | | 30 |
| | | 40 | | 40 |
| | | 50 | | 100 |
| | | 60 | | 150 |
| | | | | 200 |
| | | | | 300 |
| | | | | 400 |
| | | | | 600 |

Moving Iron Type

| AC mA | AC A | AC V |
|-------|------|------|
| 100 | 1 | 100 |
| 500 | 1.5 | 150 |
| | 2.5 | 250 |
| | 5 | 300 |
| | 10 | 500 |
| | 15 | 600 |
| | 20 | |
| | 25 | |
| | 30 | |
| | 40 | |
| | 60 | |
| | 100 | |

- **Test Voltage :** 2kV 50~60Hz
- **AC Ampere Over Load Scale :** 200%, 300%, 500%
- **Composition :** Glass window, ABS resin frame and case, Bakelite base
- **Color :** Black case and frame, white scale plate and meter body
- **Pointer :** Stick shape in black color
- **Pointer Length:** ST-72 : 38mm
ST-96 : 55mm

AC Ammeters above 100A require a basic meter combined with an external CT (Current Transformer)

AC Voltmeters above 600V require basic 150V meter combined with and external PT(Potential Transformer)

DC Ammeters above 50A require a basic 50mV meter combined with an external shunt

| Measuring range | CT ratio | Measuring range | CT ratio | Measuring range | PT ratio | For connection to shunt measuring range | | |
|-----------------|----------|-----------------|----------|-----------------|-----------|---|----------|-----------|
| 0-5 A | | 0-250 A | 250/5 | 0-300 V | 220/110 | 0-0.5 A | 0-100 A | 0-1200 A |
| 0-10 A | 10/5 | 0-300 A | 300/5 | 0-600 V | 440/110 | 0-7.5 A | 0-150 A | 0-1500 A |
| 0-15 A | 15/5 | 0-400 A | 400/5 | 0-4.5 kV | 3300/110 | 0-10 A | 0-200 A | 0-2000 A |
| 0-20 A | 20/5 | 0-500 A | 500/5 | 0-9 kV | 6600/110 | 0-15 A | 0-300 A | 0-3000 A |
| 0-25 A | 25/5 | 0-600 A | 600/5 | 0-18 kV | 13200/110 | 0-20 A | 0-400 A | 0-4000 A |
| 0-30 A | 30/5 | 0-750 A | 750/5 | 0-30 kV | 22000/110 | 0-30 A | 0-500 A | 0-5000 A |
| 0-40 A | 40/5 | 0-800 A | 800/5 | 0-45 kV | 33000/110 | 0-40 A | 0-600 A | 0-6000 A |
| 0-50 A | 50/5 | 0-1000 A | 1000/5 | | | 0-50 A | 0-750 A | 0-7000 A |
| 0-60 A | 60/5 | 0-1200 A | 1200/5 | | | 0-75 A | 0-1000 A | 0-10000 A |
| 0-75 A | 75/5 | 0-1500 A | 1500/5 | | | | | |
| 0-100 A | 100/5 | 0-2000 A | 2000/5 | | | | | |
| 0-150 A | 150/5 | 0-2500 A | 2500/5 | | | | | |
| 0-200 A | 200/5 | 0-3000 A | 3000/5 | | | | | |