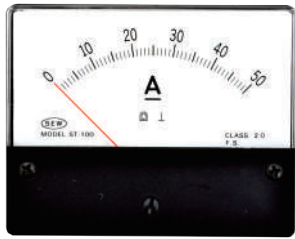
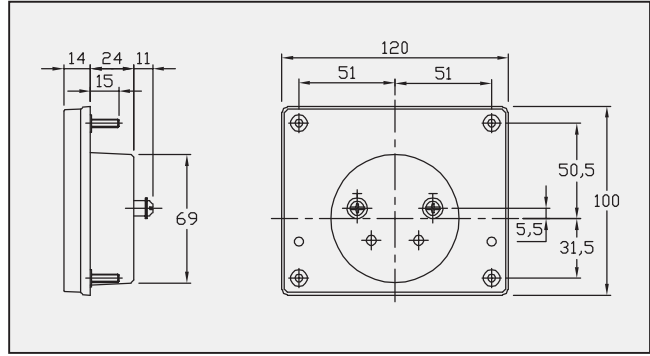
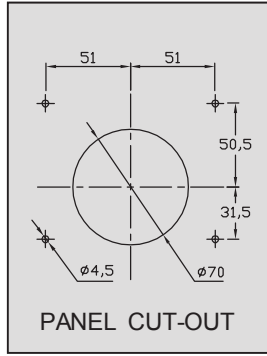


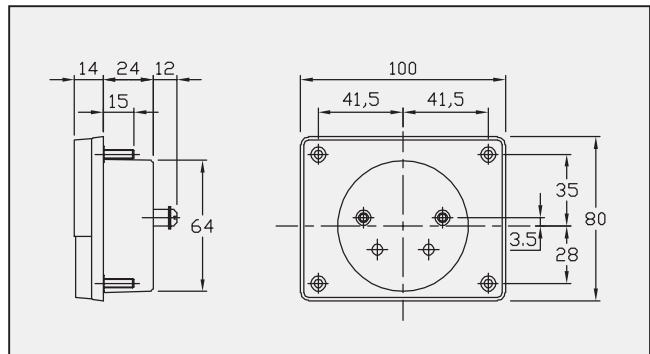
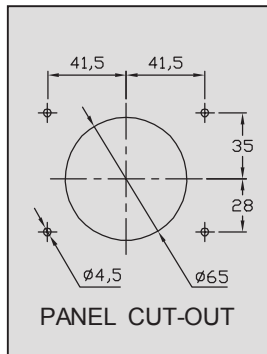
S Series



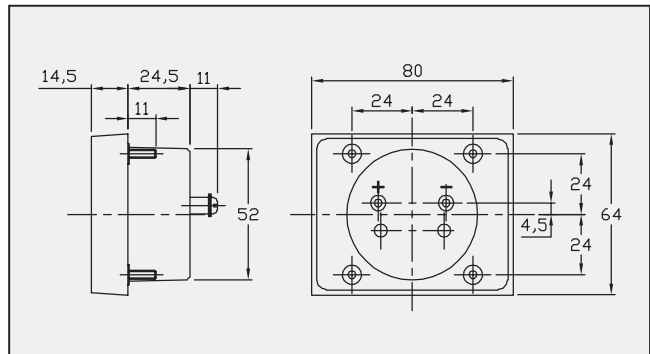
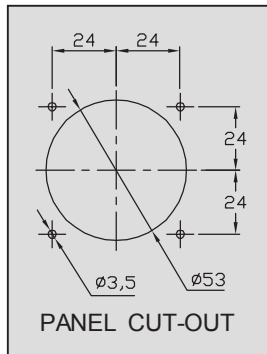
ST-110



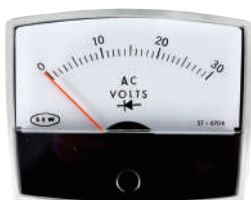
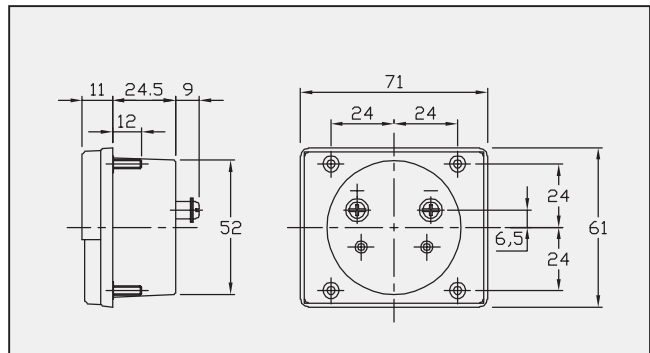
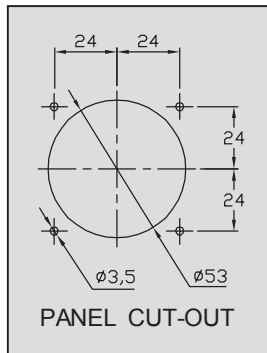
ST-100



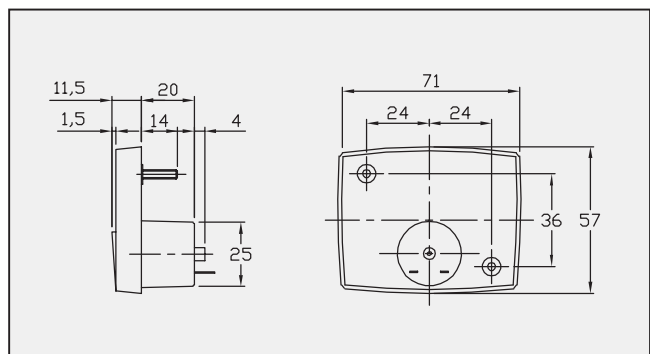
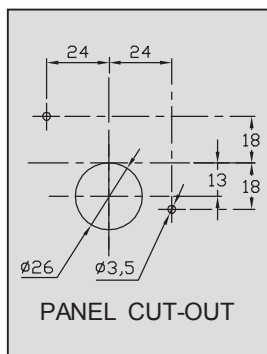
ST-680



ST-670



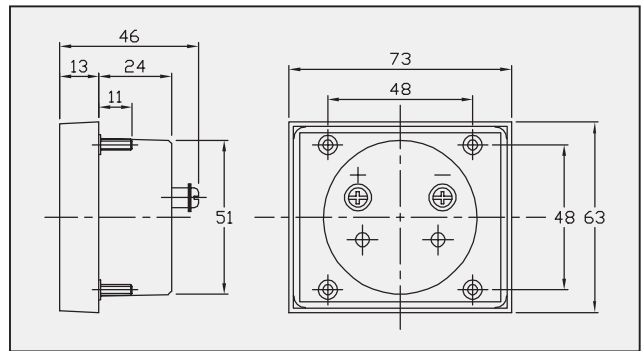
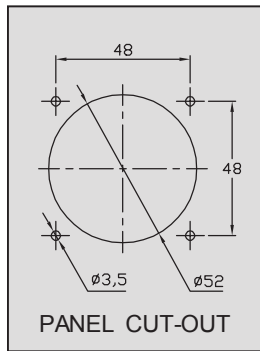
ST-670R



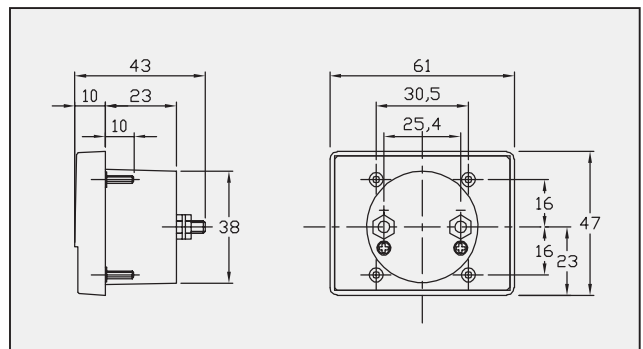
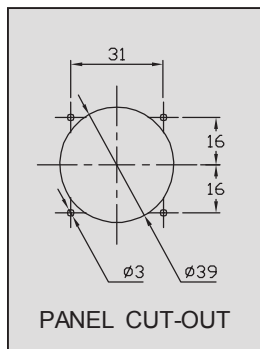
S Series



ST-670B



ST-645



Measuring Ranges :

Moving Coil Type

DC uA	DC mA	DC A	DC mV	DC V
50	1 150	1	50	3 100
100	5 200	5	60	5 150
150	10 250	10	100	10 200
200	15 300	20	500	20 300
250	20 500	30		30 500
300	30 800			50 600
500	100			
800				

Moving Iron Type

AC mA	AC A	AC V
50	1	150
100	5	250
150	10	300
200	15	500
250	20	
300	30	
500	50	
800		

Rectifier Type

AC V
30
50
100
150
200
300
500

DC up to 50A : ST-110, ST-100, ST-670, ST-670B

DC up to 30A : ST-680

DC up to 10A : ST-670R, ST-645

AC up to 50A : ST-110, ST-100

AC up to 30A : ST-670, ST-670B

- **Hz Meter**

Measuring Ranges : 45~55Hz, 55~65Hz, 45~65Hz

Rated Voltage : 110V, 220V

Accuracy : Class 2.0

Suitable Model : ST-110, ST-100, ST-680, ST-670, ST-670B

- **Case and Composition :**

Acrylic resin front and bakelite case (Glass window, ABS resin frame, Bakelite case : Only ST-680)

Four studs mounting (Two stud for ST-670R)

- **Accuracy :**

Moving coil type : Class 2.0 / Moving Iron type : Class 2.5 / Rectifier type : Class 2.0

- **Color :**

Black case

white scale plate. (yellow scale plate only ST-645)

- **Pointer :**

Tube or knife-type, color in black or red.