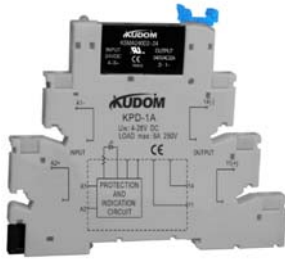


Solid State Relay

KSMA***D Series Single Phase AC Output

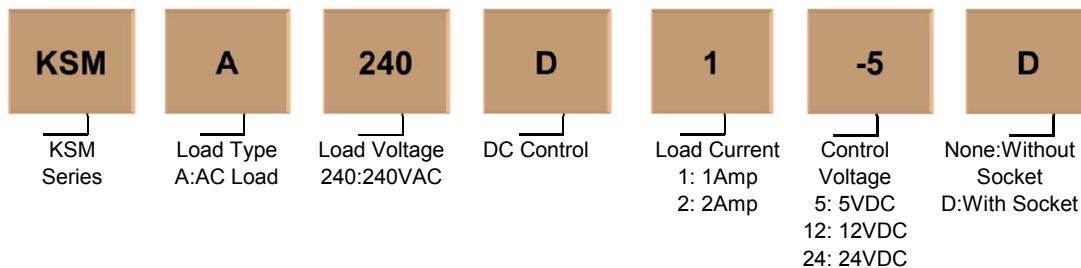


- TTL,COMS drive compatible
- Optoelectronic isolation
- Control voltage: 5VDC, 12VDC, 24VDC
- DIN rail mounted
- Standard footprint package
- Dielectric strength $\geq 2500\text{VACrms}$
- ROHS compliant

Product Description

KSMA***D series is AC output solid state relay with small size. The control voltage is 5VDC, 12VDC and 24VDC. Output current is 1A and 2A, output voltage is 240VAC. Suitable for high density PCB mounted or PLC control applications.

Product Selection



Description	1A	2A
5	KSMA240D1-5	KSMA240D2-5
	KSMA240D1-5D	KSMA240D2-5D
12	KSMA240D1-12	KSMA240D2-12
	KSMA240D1-12D	KSMA240D2-12D
24	KSMA240D1-24	KSMA240D2-24
	KSMA240D1-24D	KSMA240D2-24D

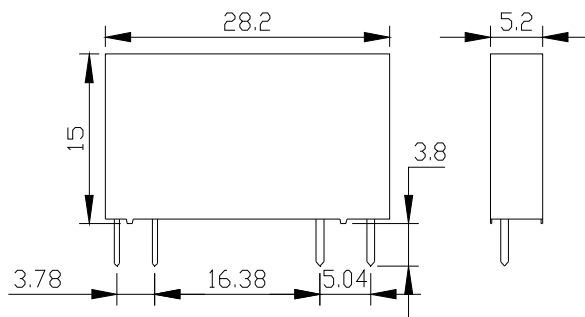
Technical Specification

Input Circuit

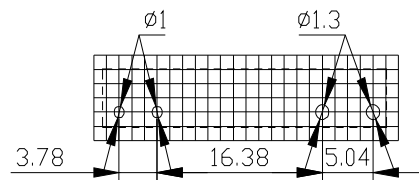
Control Voltage Range	5	4-6VDC
	12	10-15VDC
	24	20-30VDC
Minimum Turn-On Voltage	5	4VDC
	12	10VDC
	24	20VDC
Minimum Turn-Off Voltage	5	1VDC
	12	3VDC
	24	10VDC

Maximum Input Current	25mA	
Output Circuit		
Load Voltage Range	48-280VAC	
Maximum Transient Voltage	600Vpk	
Load Current Range	1	0.1 - 1A
	2	0.1 - 2A
Maximum Turn-On Time	1/2AC Cycle + 1ms	
Maximum Turn-Off Time	1/2AC Cycle + 1ms	
Maximum Surge Current [@10 ms]	1	30A
	2	80A
Maximum Off-State Leakage Current [@ Rated Voltage]	1.5mA	
Maximum On-State Voltage Drop [@ Rated Current]	1.2Vrms	
Minimum Off-State dv/dt[@ Maximum Rated Voltage]	200V/μs	
General Information		
Dielectric Strength, Input/Output(50/60Hz)	≥2500Vrms	
Insulation Resistance	1000MΩ(@500VDC)	
Vibration	10-55Hz 1.5mm double-amplitude	
Shock	Acceleration 980m/s ² pulse duration 6ms	
Ambient Operating Temperature Range	-30°C ~ +80°C	
Ambient Storage Temperature Range	-30°C ~ +100°C	
Weight (typical)	KSMA....-.	4g
	KSMA....-D	30g
Application		
Suitable for high density PCB mounted or PLC control applications.		
Installation		

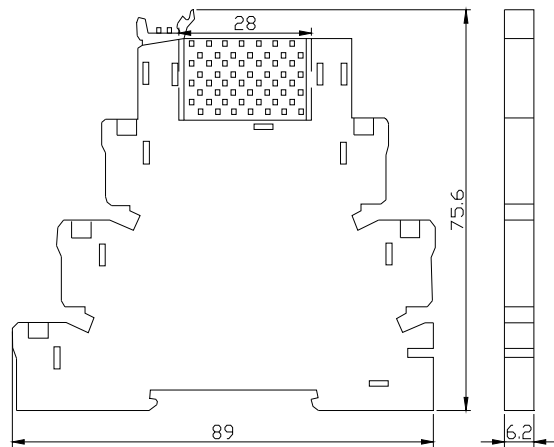
Dimension Figure



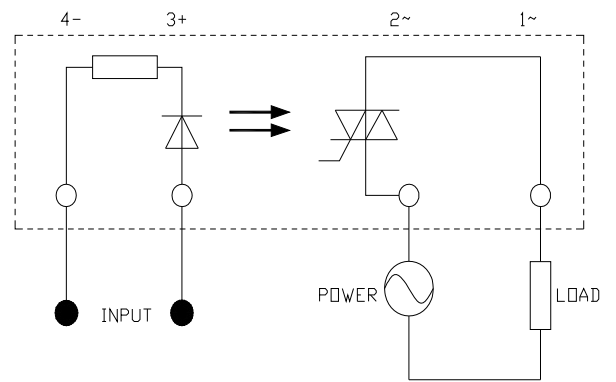
PCB Mounted Figure



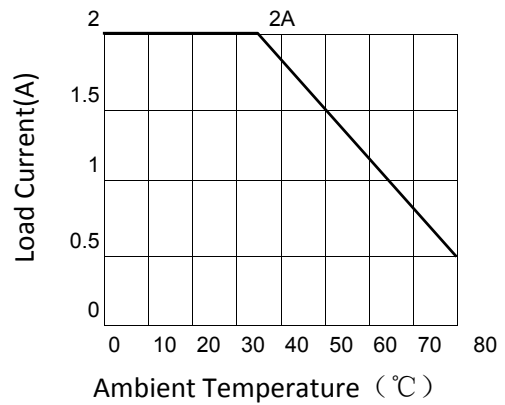
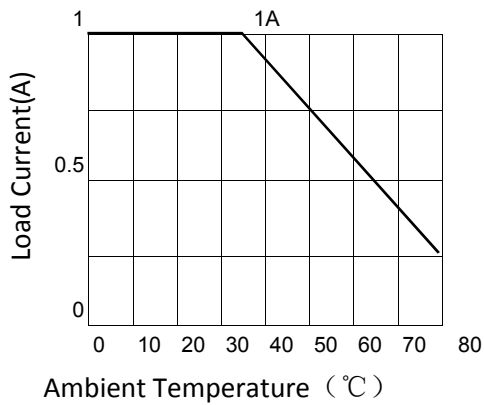
Socket Installation Drawing(Type: KPD-1A)



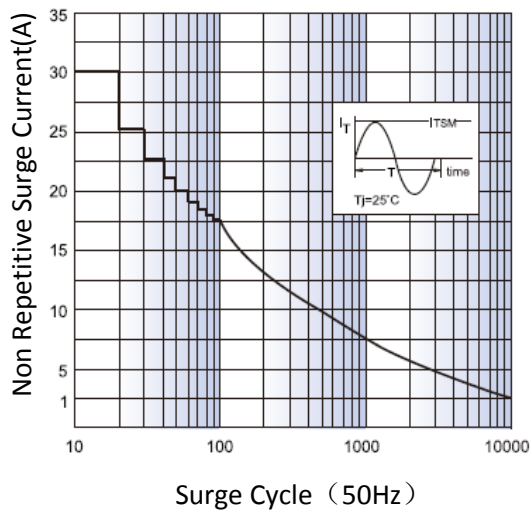
Wiring Method



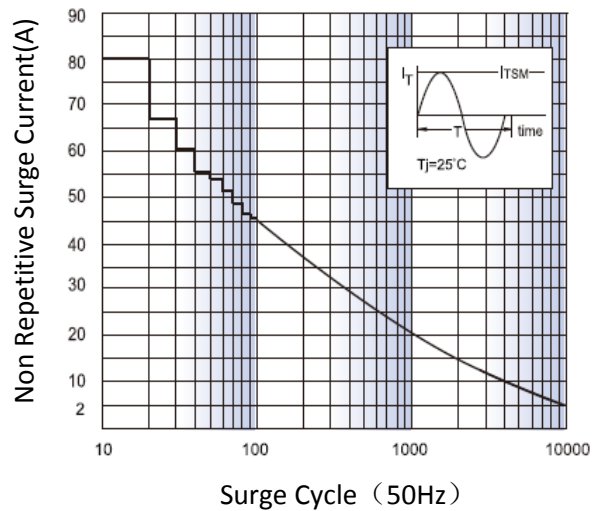
Thermal Curve



Non Repetitive Surge Current And Surge Cycle Curve (1A)



Non Repetitive Surge Current And Surge Cycle Curve (2A)



Important Notice

1. Consideration of heating dissipation, load current will be decreased without enough ventilation.
2. Terminal polarity to ensure proper control, or may damage the product.
3. The piezoresistor should be in parallel at the output when the relay transient voltage is too high.

Product Certification

