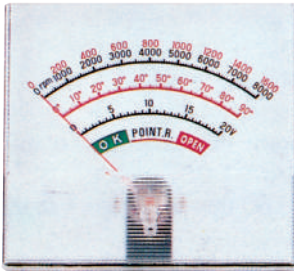
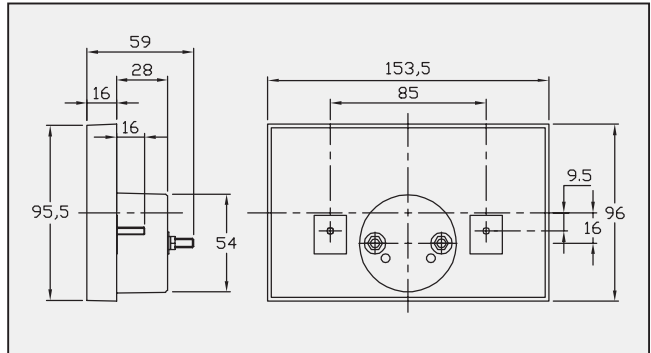
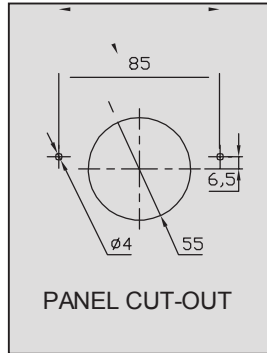


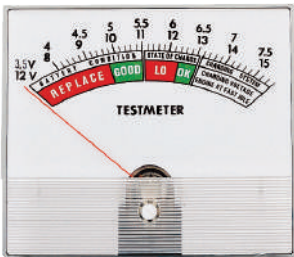
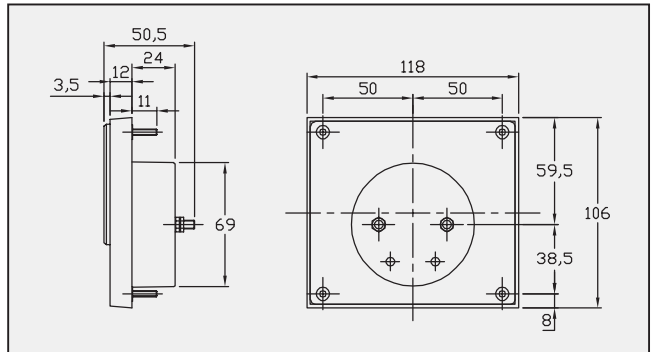
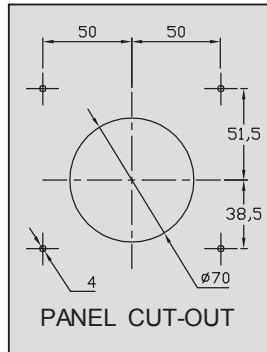
M Series



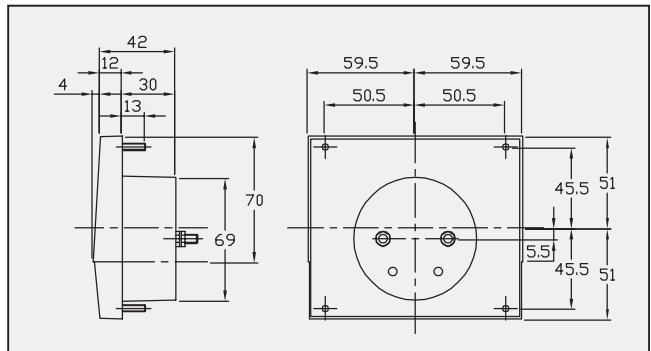
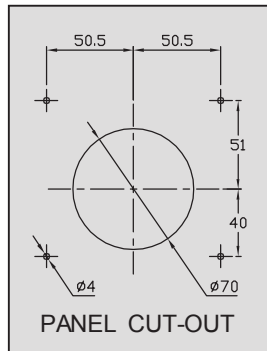
ST-150T



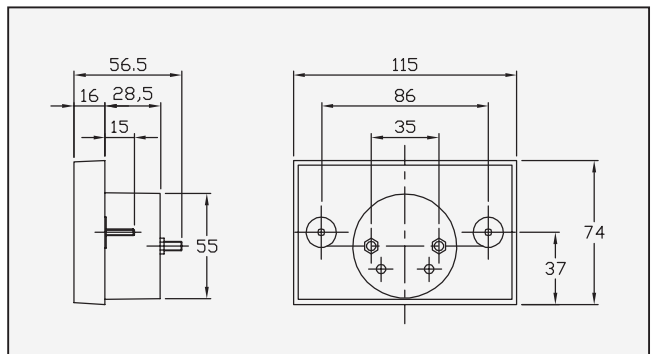
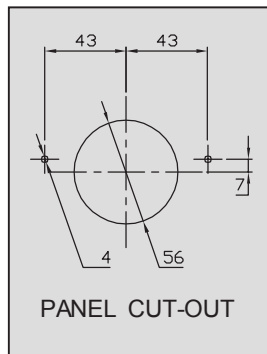
ST-118



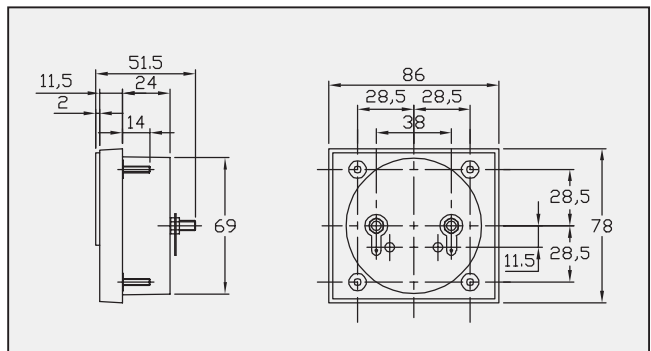
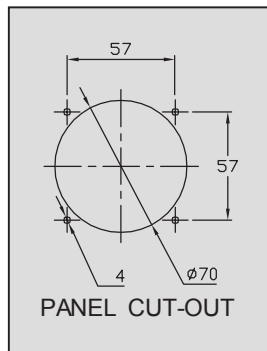
ST-118T



ST-115



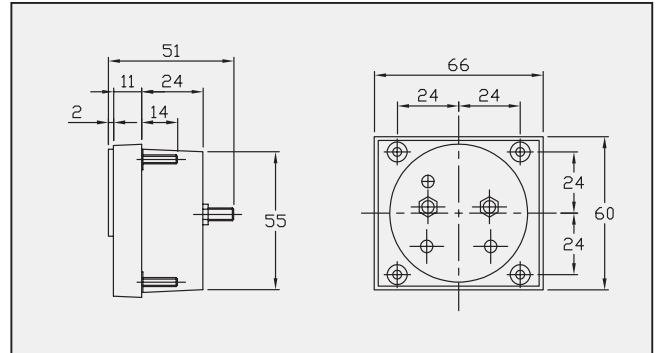
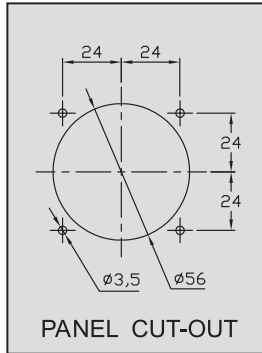
ST-86



M Series



ST-66



Measuring Ranges :

Moving Coil Type

DC uA	DC mA	DC A	DC mV	DC V
50	1	1	50	3
100	5	5	60	5
150	10	10	100	10
200	50	15	500	30
250	100			50
300	150			100
500	200			150
800	300			200
	500			300
	800			500
				600

Rectifier Type

AC V
30
50
100
150
200
300
500

M Series all up to 15A

- Case and Composition :** Acrylic resin front and ABS resin case.
Four studs mounting.
Two studs mounting for ST-115
- Accuracy :** Moving coil type : Class 2.0
Rectifier type : Class 2.0
- Color :** Black case, white scale plates.
- Pointer :** Tube type, color in black or red.