



Features

- Match with precision potentiometer or other rotating devices
- Excellent legibility
- High Force and positive brake
- Standard models to fit 6mm or 6.35mm Diameter shaft

Technical Characteristics

Counting capacity, maximum turns	15
For shaft diameter	6mm or 6.35mm
For bushing diameter	12.7mm
Depth: maximum, from face of panel	25.4mm
Shaft Extension:	
Maximum, from face of panel	21.5mm
Minimum, from face of panel	17.8mm
Bushing Extension:	
Maximum, from face of panel	10.5mm
Locking mechanism	positive action
Wight (nominal)	85 grams
Number of set screws	1
Number height	2.54mm
Knob material	Black Plastic
Dial finish	White Numerals on Satin Chrome
Housing finish	Satin Chrome
Operating temperature range	-55 to +85 degree C
Dial divisions	100 per turn

How to order

ZS - 46 - 15

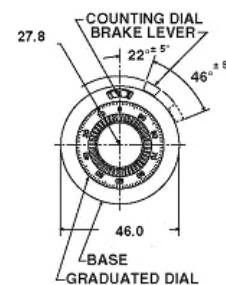
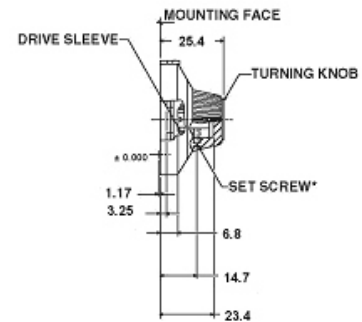
A B C

A - Type

B - Diameter of housing: 46 mm

C - Maximum turns: 15

Outline Dimension



All product specifications and data are subject to change without notice.