

## Feature

- Hermetic ceramics-metal stud structure
- Conform to national standard JB/T8949.2-1998
- Capacity of supporting high surge current
- Stud cathode and strd anode version

## Typical Application

- DC motor controls Controls DC power supplie
- AC switch and thermal control Synchronous motor exditation

$I_{F(AV)}$	150A
$V_{RRM}$	100-5000V
$I_{FSM}$	8.25 KA
$I^2t$	64 KA <sup>2</sup> S

SYMBOL	CHARACTERISTIC	TEST CONDITIONS	$T_J$ (°C)	VALUE		UNIT
				Min	Max	
$I_{F(AV)}$	Mean forward current	180° half sine wawe, 50HZ Single heat sink, $T_C=98^\circ C$	150		150	A
$I_{F(RMS)}$	RMS current		150		3700	A
$V_{RRM}$	Repettive peak reverse voltage	$V_{DRM}\&V_{RRM} tp=10ms$ $V_{DSM}\&V_{RSM}=V_{DRM}\&V_{RRM}+200V$	150	100	5000	V
$I_{RRM}$	Repetitive peak current	$V_{RM}=V_{RRM}$	150		15	mA
$I_{FSM}$	Surge on-state current	10ms half sine wave	150		8.25	KA
$I^2t$	$I^2t$ for fusing	$V_R=0.6V_{RRM}$			68	KA <sup>2</sup> S
$V_{TO}$	Threshold voltage		150		0.83	V
$r_T$	On-state slop resistance				0.91	mΩ
$V_{FM}$	Peak on-state voltage	$I_{TM}=30A, F=9.0KN$	150		1.33	V
$I_{rm}$	Reverse recovery	$I_{TM}=30A, tq=1000us$	150		70	A
$t_{rr}$	Reverse recovery time	$Di/dt=-20A/us.$			4.0	us
$Q_{rr}$	Recovered charge	$V_r=50V$			140	uC
$R_{th(j-h)}$	Thermal impedance node to the shell	180 ° sine wave, single heat sink			0.090	°C/W
$F_M$	Mounting force			85	120	N
$T_{stq}$	Stored temperature			-40	200	°C
$W_t$	Weight			325		g
Outline						

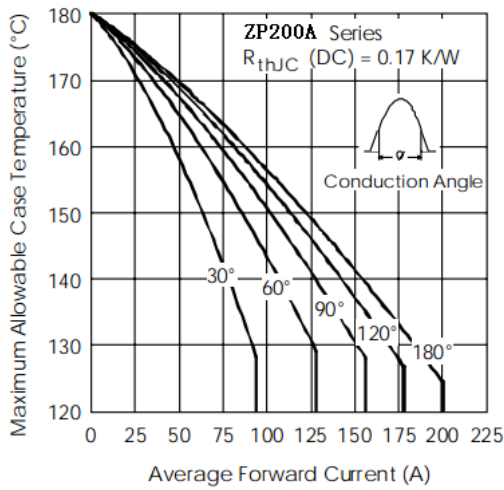


Fig. 1 - Current Ratings Characteristics

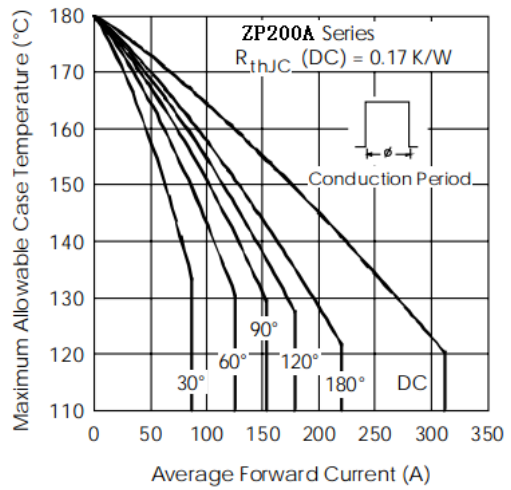


Fig. 2 - Current Ratings Characteristics

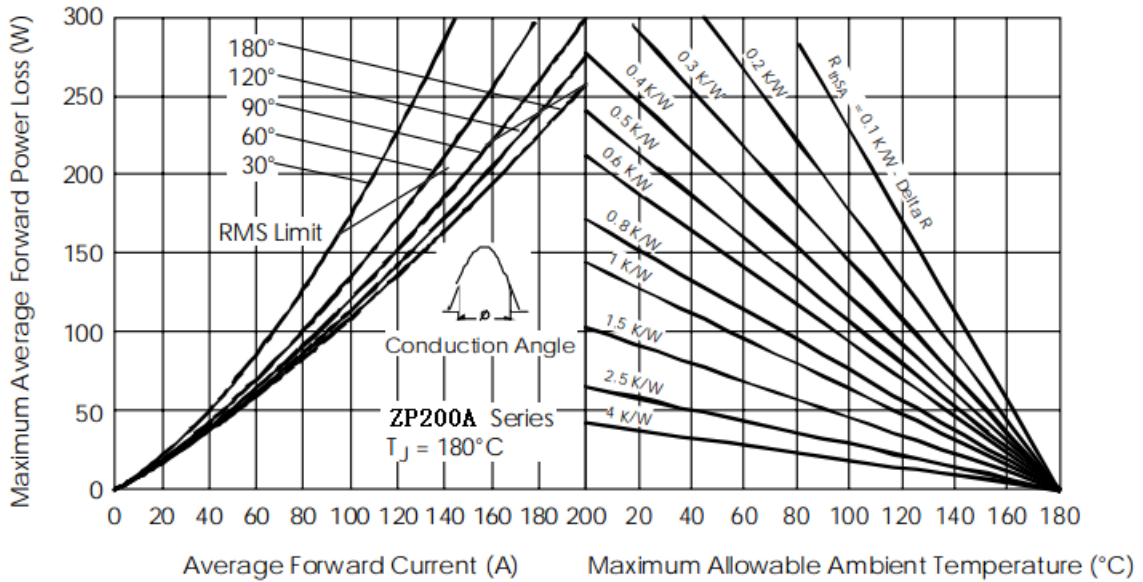


Fig. 3 - Forward Power Loss Characteristics

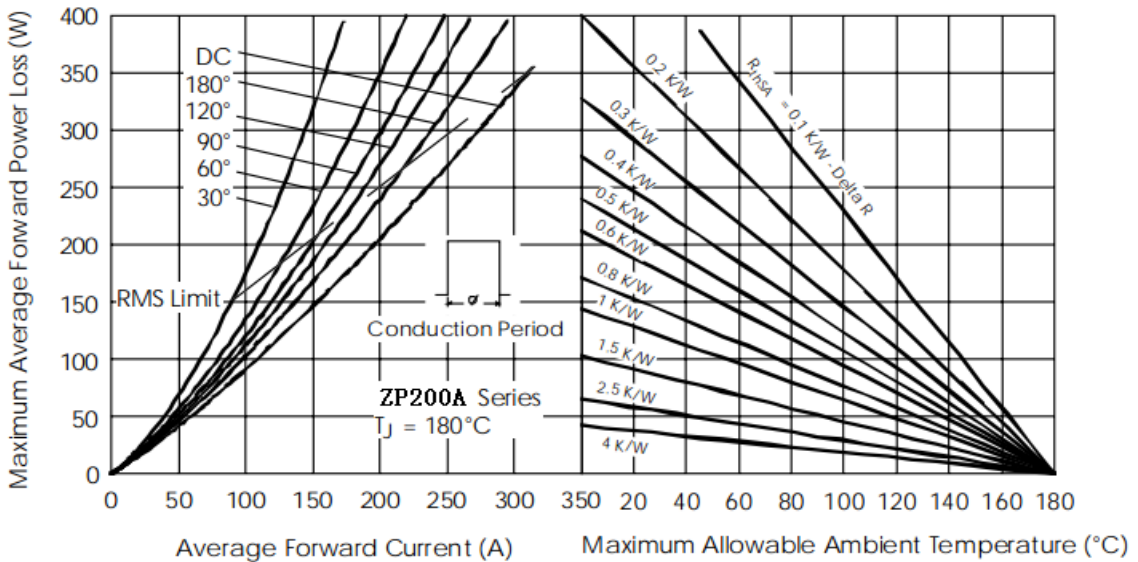


Fig. 4 - Forward Power Loss Characteristics

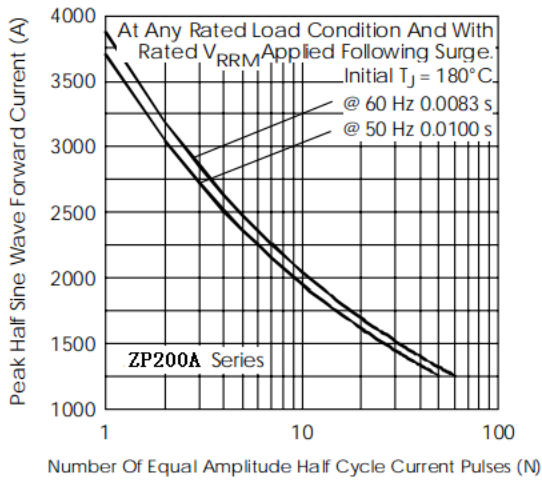


Fig. 5 - Maximum Non-Repetitive Surge Current

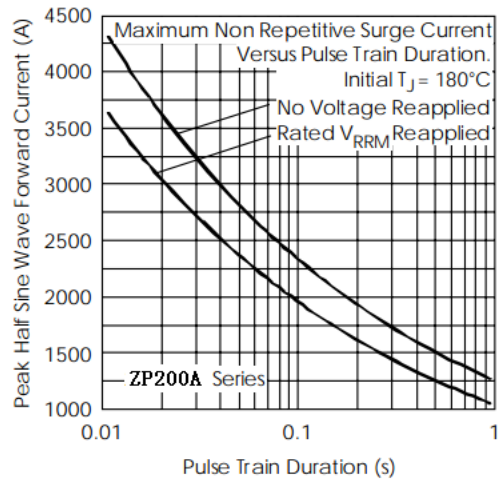


Fig. 6 - Maximum Non-Repetitive Surge Current

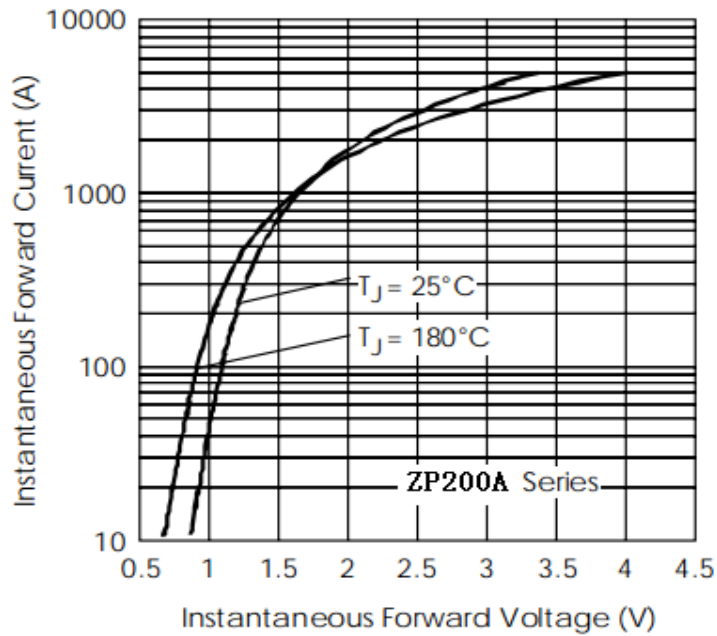


Fig. 7 - Forward Voltage Drop Characteristics

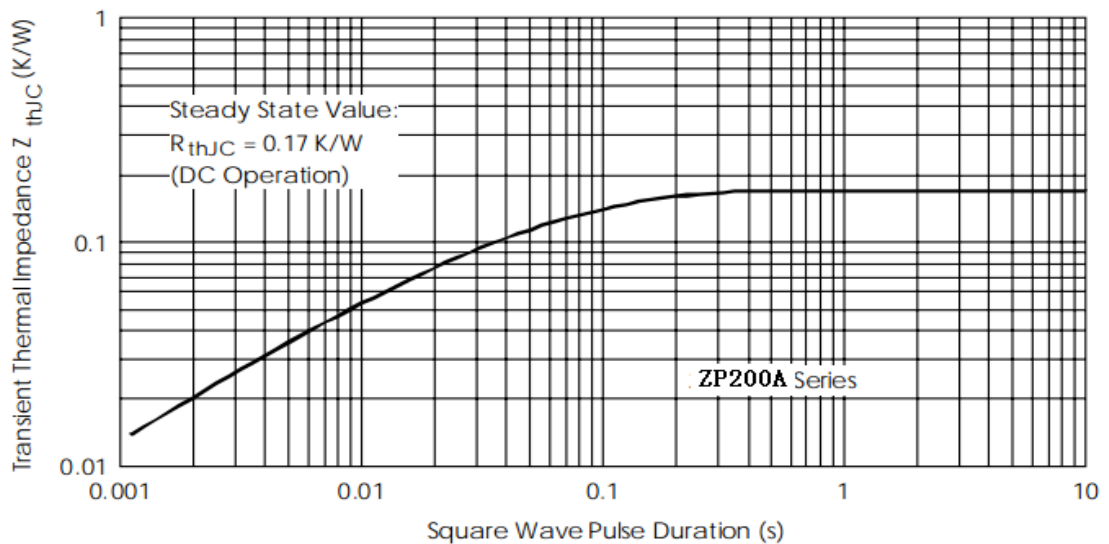
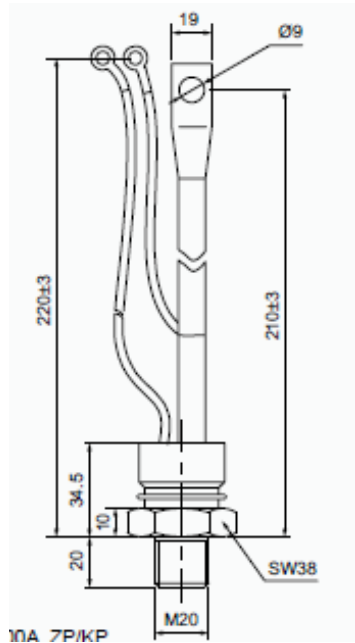
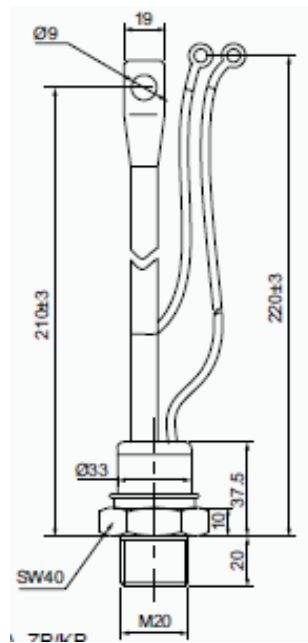


Fig. 8 - Thermal Impedance  $Z_{thJC}$  Characteristics

Outline:



1



2