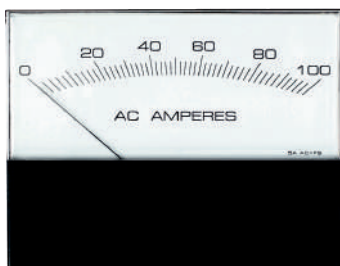
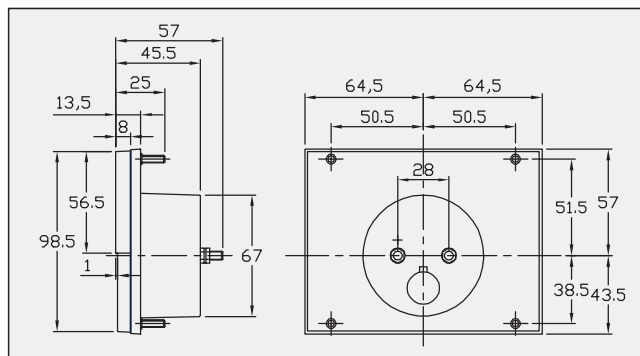
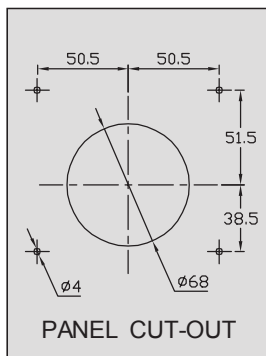


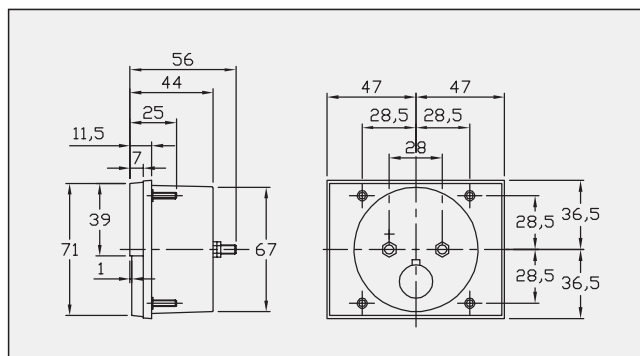
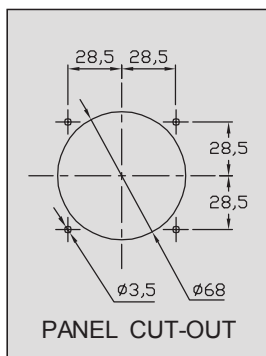
T Series



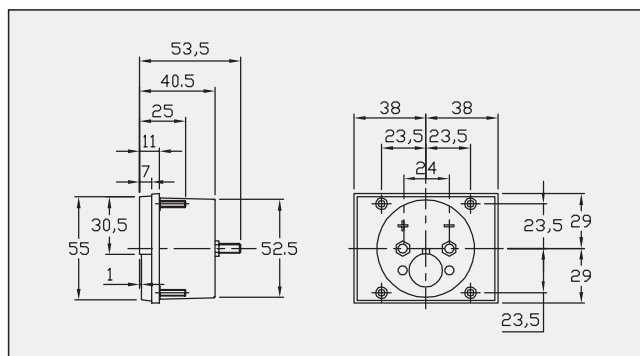
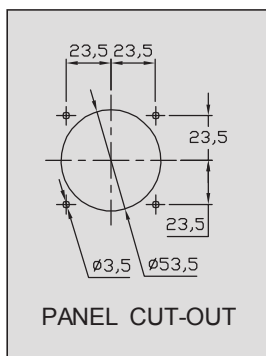
ST-125



ST-95



ST-75



- **Case and Composition :** ABS case and PC cover
Four studs mounting
- **Accuracy :** ± 2.0% full scale value
- **Color :** Black case and white scale plate.
- **Pointer :** Knife-type, color in black

Measuring Ranges :

Moving Coil Type

DC uA	DC mA	DC A	DC mV	DC V
50	1	1	50	3
100	5	1.5	60	5
150	10	5	100	10
200	20	10	500	20
250	50	20		30
300	100			50
500	150			100
	200			150
	250			200
	300			300
	500			500

Rectifier Type

AC V
30
50
100
150
200
300
500

- **Hz Meter :**
Ranges : 45-65Hz, 45-55Hz, 55-65Hz
Rated Voltage : 110V, 220V
Accuracy : ± 2.0% full scale